

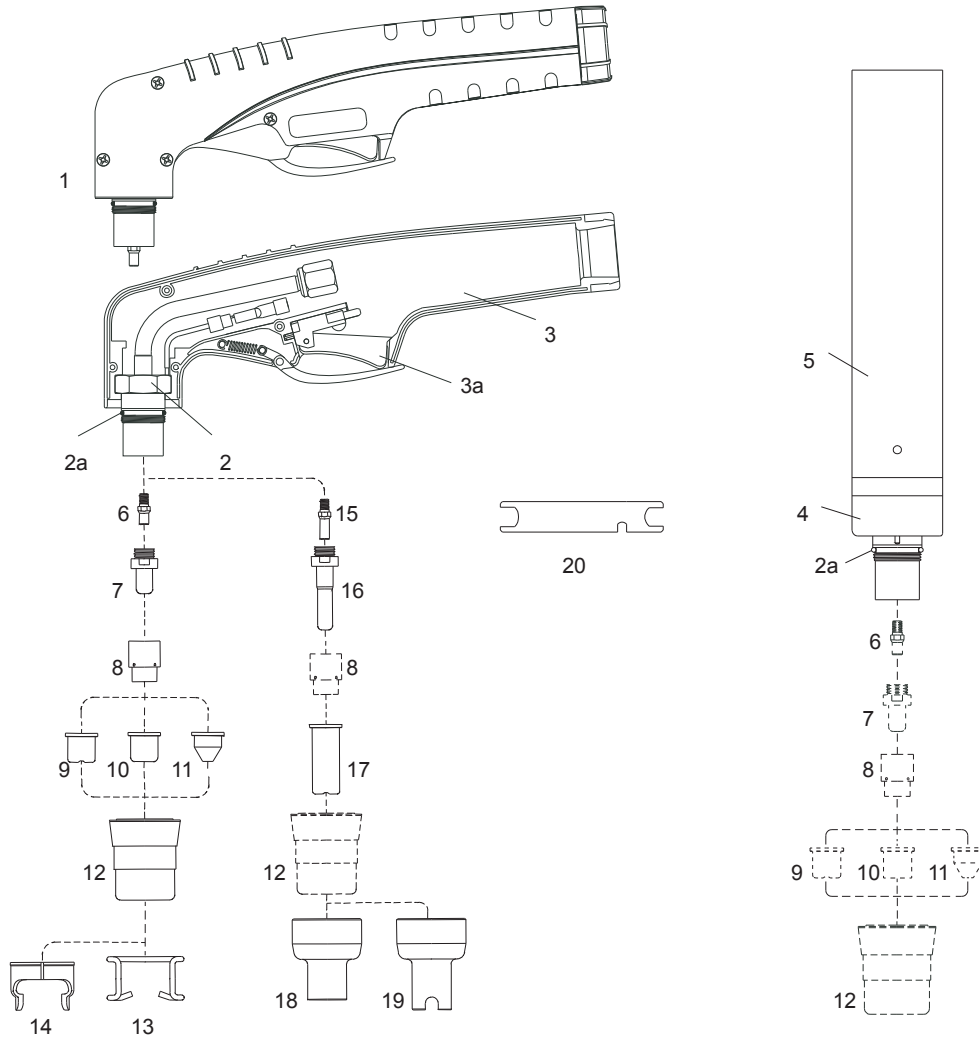
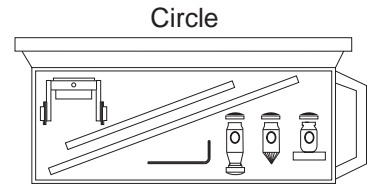
SPARTUS® SP70H / SP70M



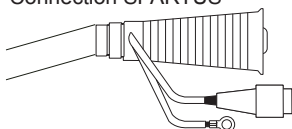
EN 60974-7



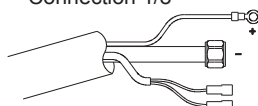
Cutting current:	max 70 A
Cooling type:	air cooled
Duty cycle:	60%
Working pressure:	4.5 - 5.0 bar
Min. air cooled flow rate:	150 l _{min}
Arc ignition:	HF
Post gas flow time:	90s (recomended)



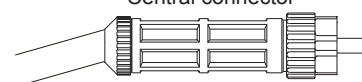
Connection SPARTUS®



Connection 1/8"



Central connector



CODE	REF. NO.	DESCRIPTION
03070/LT-SP1		SP70H Hand torch 6m (connection SPARTUS®) ¹⁾
03071/LT-SP2		SP70H Hand torch 6m (central connector SPARTUS®) ²⁾
03070/LT	1564	SP70H Hand torch 6m (connection 1/8")
03071/LT	1573	SP70H Hand torch 6m (central connector)
03170/LT		SP70H Hand torch 12m (connection 1/8")
03171/LT		SP70H Hand torch 12m (central connection)
03470	1563	SP70M Machine torch 6m (connection 1/8")
03471	1566	SP70M Machine torch 6m (central connector)
03570		SP70M Machine torch 12m (connection 1/8")
03571		SP70M Machine torch 12m (central connector)

... other connections see catalog page 4.05

NO.	CODE	REF. NO.	[H] [M]	DESCRIPTION
1	01071/KIT		•	Hand torch head with handgrip
2	01071		•	Hand torch head
2a	01000.60	3.160.067	• •	O-ring (20pcs/pck)
3	09606		•	Handgrip with microswitch
3a	07301.20		•	Switch
4	03370	1349	•	Machine torch head
5	03310	3.055.623	•	Machine handle
6	01070.42	3.065.204	• •	Diffusor
7	52551	1402	• •	Electrode
8	60001		• •	Swirl ring
9	51100.09	1309	• •	Tip fi 0.9 35A
	51095	1396	• •	Tip fi 1.0 50A Long Life
	51100/S		• •	Tip fi 1.1 60A Long Life
	51096		• •	Tip fi 1.2 70A Long Life
	51100.12	1308	• •	Flat tip fi 1.2 70A
10	51099		• •	Flat tip fi 1.0
	51099.12		• •	Flat tip fi 1.2
11	51098	1305	• •	Conical tip fi 1.0
	51098.12		• •	Conical tip fi 1.2
12	60321	5.710.171	• •	Retaining cap
13	51901	1394	•	Spacer spring (10pcs/pck)
14	60363	1405	•	Double pointed spacer
15	01090.42		•	Diffusor
16	52553	1368	•	Extended electrode
17	51102.09	1366	•	Extended tip fi 0.9 35A
	51095/L	1395	•	Extended tip fi 1.0 50A Long Life
	51102/S		•	Extended tip fi 1.1 60A Long Life
	51096/L		•	Extended tip fi 1.2 70A Long Life
18	51970		•	Shield cap hand for 51102.09, 51095/L
19	51971		•	Spacer, contact cutting, 51102/S, 51096/L
20	60368	3.045.012	• •	Wrench for electrode
	03240	1344	•	Cable, 6m, 1/8" - Hand torch
	03250		•	Cable, 12m 1/8" - Hand torch
	03320		•	Cable, 6m 1/8" - Machine torch
	03330		•	Cable, 12m 1/8" - Machine torch
	51849	0166-70	•	Circle cutting attachment



[H] - parts apply for hand torch
[M] - parts apply for machine torch

¹⁾ Torch connection fit to SPARTUS CUT machines (M16 cap with 2/4 pin plug)

²⁾ Torch connection fit to SPARTUS CUT machines (central connector)