

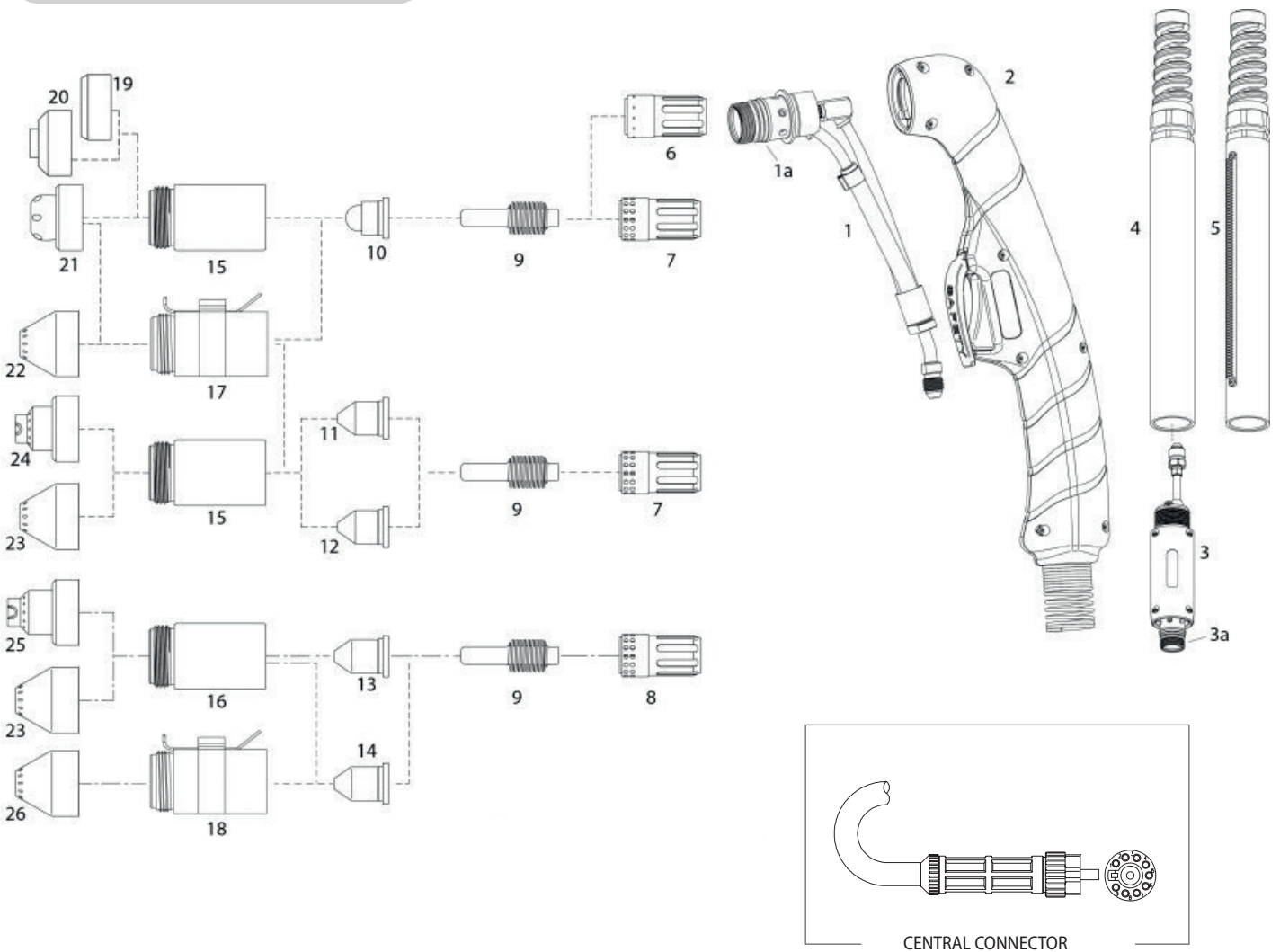
SPARTUS® SP45HY/85HY/125HY
SP45MY/85MY/125MY



EN 60974-7



Cutting current	40-125A
Gas	air / N ₂
Duty cycle	60%
Operating pressure	5.0 - 6.0bar
Air flow	295l/min
Arc ignition	without HF
Post gas flow time	45s



CODE	DESCRIPTION
SP45-85-125-H-SP2-7.5	SP45HY / SP85HY / SP125HY hand torch 7.5m (central connector)
SP45-85-125-H-SP2-15	SP45HY / SP85HY / SP125HY hand torch 15m (central connector)
SP45-85-125-M-SP2-7	SP45MY / SP85MY / SP125MY machine torch 7.5m (central connector)
SP45-85-125-M-SP2-15	SP45MY / SP85MY / SP125MY machine torch 15m (central connector)

LP.	CODE	[H]	[M]	DESCRIPTION
1	NW05900	✓		Hand torch head
1a	NW03700.60	✓	✓	O-ring
2	NW05905	✓		Handle with microswitch
3	NW05910		✓	Machine torch head
3a	07300.60	✓	✓	O-ring
4	NW07218		✓	Machine handle
5	NW07219		✓	Fiberglass positioning tube with rack
6	NW60032	✓	✓	Swirl ring 45A Precision Cut Max Life
7	NW60042E	✓	✓	Swirl ring 45-85A
	NW60042	✓	✓	Swirl ring 45-85A
8	NW60040E	✓	✓	Swirl ring 100-125A
	NW60040	✓	✓	Swirl ring 100-125A
9	NW52677	✓	✓	Electrode 45-100A
10	NW51415	✓	✓	Tip 45A Precision Cut
11	51417G	✓		Nozzle 65-85A
12	NW51416	✓	✓	Nozzle 45A
	NW51417	✓	✓	Nozzle 65A
	NW51418	✓	✓	Nozzle 85A
13	51418G	✓	✓	Nozzle 105A
	51419G	✓	✓	Nozzle gouging 125A
14	NW51419	✓	✓	Nozzle 105A
	51419.16	✓	✓	Nozzle 125A
15	NW60309A	✓	✓	Retaining cap 45-85A
	60309AV	✓	✓	Retaining cap 45-85A Max Life
16	NW60309B	✓	✓	Retaining cap 105A
	60309BV	✓	✓	Retaining cap 125A Max Life
17	60309HA		✓	Retaining cap 45-85A
18	60309HB		✓	Retaining cap 100-125A
19	NW51928	✓	✓	Deflector
20	51931	✓	✓	Deflector 45A Precision Cut
21	51929		✓	Machine shield Precision Cut 45A
22	NW51922		✓	Machine shield cap 45-85A
23	51927G	✓		Machine shield gouging
24	NW51921	✓		Shield cap 45-85A
25	NW51926	✓		Hand shield cap 105A
26	NW51927		✓	Machine shield cap 105A

[H] – parts apply for hand torch

[M] – parts apply for machine torch

SPARTUS®/NW® is independent and not connected to ABITIG®, AMPHENOL®, ASPA®, BESTER®, BINZEL®, CEA®, CEBORA®, ESAB®, EWM®, FALTIG®, FRO®, FRONIUS®, HARRIS®, HYPER THERM®, KJELLBERG®, LINCOLN®, L-TEC®, MAGNUM®, OTC®, SAF®, SHERMAN®, TELWIN®, THERMAL DYNAMICS®, TRAFIMET®, TUCHEL®.

Reference numbers and names belonged to above companies were called due to Property Right Law for buyer's convenience and they are related to code and spare part's description.

The products do not constitute an offer within the meaning of the Civil Code.